

MEASURING INFORMATION

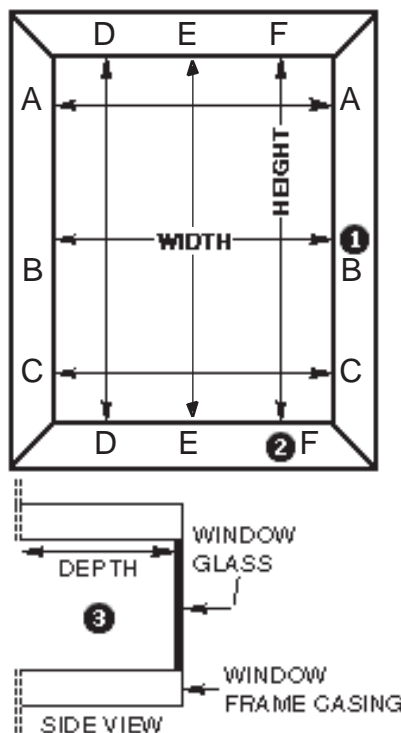
HANDY TIPS

- ✓ Always use a metal tape measure.
- ✓ Remember to round off your measurements to the nearest millimeter.
- ✓ Measure twice - *for accuracy!*
- ✓ Look out for things like window/ door handles, frames or tiles and take their position into account if necessary.
- ✓ All our blinds can be fitted into the **INSIDE** of your window frame or wall (**INSIDE MOUNT**) or into the top of the architrave (**OUTSIDE MOUNT**).

MOUNTING STYLES

INSIDE MOUNT -

Inside mounts are mounted on the inside of the architrave, for a more finished look.



- ✓ **INSIDE** mount:
TAKE THE ACTUAL WINDOW OPENING SIZE.
Do not make any deductions. We will make the proper allowances to ensure that your blinds fit perfectly.

Measure:

1) **WIDTH.** Three locations. Left to right.

AA, BB, CC. Select The Narrowest Measurement.

DO NOT MAKE ANY DEDUCTIONS.

2) **DROP.** Measure in three locations. Top to bottom.

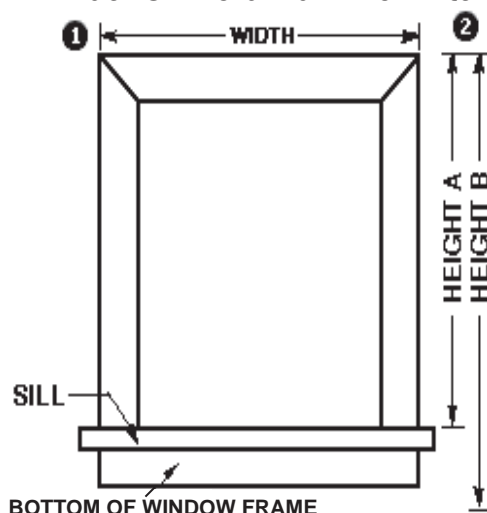
DD, EE, FF. Select the narrowest measurement.

3) **DEPTH.** Measure to ensure you have sufficient room for the window covering to fit **INSIDE** the reveal. Note obstructions such as door or window handles, frames and tiles.

Refer next page for minimum **DEPTH** requirements.

OUTSIDE MOUNT -

Outside mounts will make windows appear bigger and can be used to advantage to hide unattractive windows. The blind will affix to the architrave or wall itself.



- ✓ Remember: when measuring for an **OUTSIDE** mount.
TAKE THE WINDOW + ARCHITRAVE MEASUREMENTS.

Measure:

1) **WIDTH.** Measure the window + architrave width.
LEFT TO RIGHT.

2) **DROP.** This can be measured in two locations.

Usually the most common preference is from top to bottom of architrave. (IE/ Height B)

a) From the top of the architrave to the window sill.

b) From the top of the architrave to the bottom of the window frame or architrave.

✓ FOR INSIDE MOUNTING -

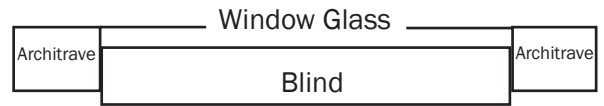
Take note of the DEPTH measurement. The below table, is a handy guide, for the MINIMUM BRACKET DEPTH required for your selected window coverings. To ensure that INSIDE MOUNT is possible.

✓ INSIDE SHALLOW MOUNT -

Shallow mount blinds are installed inside the window frame where there is enough room to install the bracket but there is not enough room for the blind to be installed fully within the frame.

OVERHEAD VIEWS

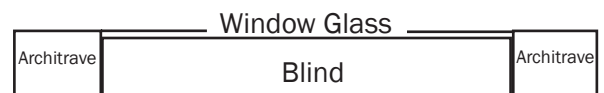
Inside Shallow Mount



✓ INSIDE FLUSH MOUNT -

Flush mount are installed completely within the frame and no part of the headrail and blind protudes from the window frame.

Inside Flush Mount



MINIMUM BRACKET DEPTH - FOR READY MADE BLINDS.

PRODUCT	Timber Venetian 45mm + 60mmSlat WRC	Timber + Eco Venetian 50mm + 63.5mmSlat	Aluminium 25.5mm Slat	Custom Made & Ready made Roller Blind	Custom Made Roman Blind	Viva Verticals	Cellular Blind	Carbonised Bamboo Blind
INSIDE SHALLOW MOUNT	45mm	45mm	20mm	65mm	25mm	60mm	30mm	30mm
INSIDE FLUSH MOUNT	80mm	80mm	35mm	85mm	40mm	130mm	50mm	60mm



**YOU MEASURE!
YOU FIT!
YOU SAVE!**



SPECIALITY WINDOWS: MEASURING INFORMATION

FOR CORNER WINDOW

BUTT + BYPASS BLINDS -

When two blinds butt against each other at a corner, as shown in the overhead views (right), one blind is the "butt" blind and the other is the "bypass" blind.

Measure for each blind separately using the procedures described for a STANDARD INSIDE OR OUTSIDE MOUNTING BLIND. Then subtract headrail depth from the butt blind to obtain the proper width. See table below for minimum headrail widths.

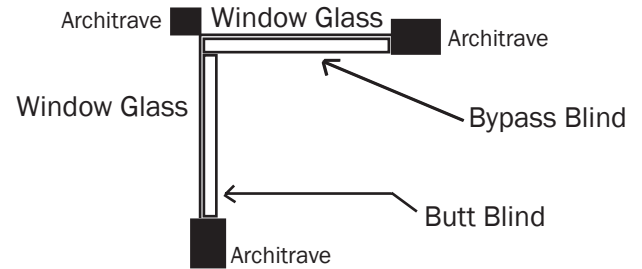
✓ Remember: that with outside mounts, to allow for overlap on the sides and at the bottom.

✓ The 'Butt & Bypass' method ensures there is maximum privacy & minimum light gap.

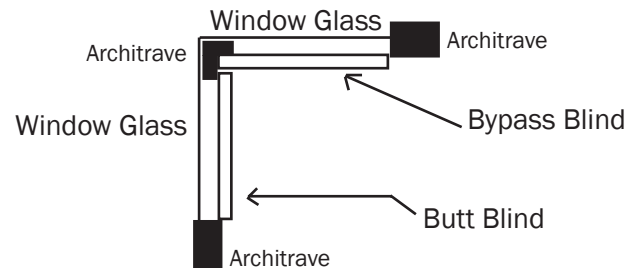
*NOTE: Look out for things like window/ door handles, frames or tiles and take their position into account if necessary.

OVERHEAD VIEWS

Inside Mount -



Outside Mount -



BUTT BLIND - DEDUCTION FOR HEADRAIL WIDTH - (READY MADE BLINDS.)

PRODUCT	Timber Venetian 45mm + 60mm Slat WRC	Timber + Eco Venetian 50mm + 63.5mm Slat	Aluminium 25.5mm Slat	Custom Made & Ready made Roller Blind	Custom Made Roman Blind	Viva Verticals	Cellular Blind	Carbonised Bamboo Blind
WIDTH	75mm	75mm	30mm	80mm	55mm	95mm	55mm	65mm



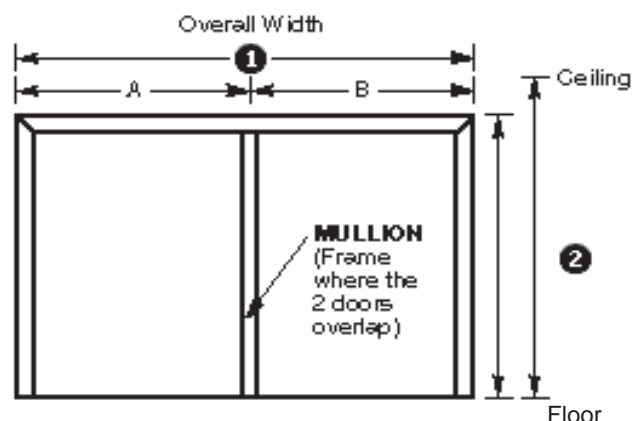


SPECIALITY WINDOWS: MEASURING INFORMATION

SLIDING DOORS + FRENCH DOORS + WIDE WINDOWS

Often it is necessary to outside mount for sliding doors, due to obstructions such as door handles and limited recess depth. Usually, the same measuring principles as for INSIDE + OUTSIDE MOUNT apply.

IE/ TOP OF ARCHITRAVE TO FLOOR (DROP) AND LEFT TO RIGHT OF ARCHITRAVE (WIDTH).



- ✓ It is sometimes desirable to split the opening into two or three blinds, depending on the window and door configuration. When two blinds butt against each other, these blinds should join where the window + door mullion is. There will be a slight gap where the blinds join and matching the join to a mullion will ensure privacy is maintained.

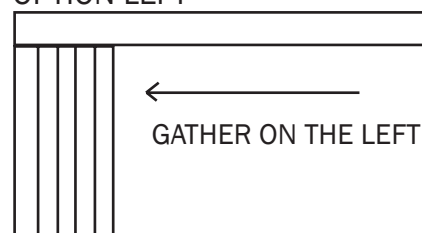
VIVA VERTICALS -

For a sliding door (ie. Patio doors), we suggest a one-way draw with the 'bunch' on the opposite side of the door handle.

- ✓ Most vertical blinds are installed as OUTSIDE FIT because they usually require at least a 110mm window recess depth. Patio door handles protrude and interfere with a 'Recess' mount. However, if you have sufficient window depth, they can be mounted inside the window recess.

ELEVATION VIEWS -

OPTION LEFT



OPTION RIGHT

